



PRODUCT OVERVIEW

LEVEL MEASUREMENT

MAC Sensor Co.,LTD.
Changsha City,Hunan,China
<http://www.macsensor.com>

TEL: +86-731-89975636 / 89975645

L712 LCD/LED

Submersible Pressure Level Transmitter

Profiles

L712 is full sealed submersible level transmitter. It is made by building in high stable and reliable piezo-resistive silicon pressure sensor and high accurate circuit board into the metal housing. Integrated construction and standard signal provide the user easy and convenient application in the local working place. The special cable connects with housing, can be immersed into the media for a long time.

L712 level sensor has smart structure, high accuracy and good stability; it can be used for water or liquid measure and control of medicine, metallurgy, electricity, mine, city water supply and drainage and hydrology, etc.

L712 level sensor output is optional for 4-20 mA, 0-5V, and 0-10V and so on, and can customize absolute type with inside barometer and cable without vent and transmitter will automatically calculate local atmosphere pressure and then doing level calculate.



Characteristics

- ☆ Accuracy: $\leq \pm 0.5\%F.S$
- ☆ Wide working temperature scope.
- ☆ Advanced digital temperature compensation.
- ☆ Excellent resistance against impact, overload, shock and erosion.
- ☆ Lighting protection & strong RFI & EMI resistance.
- ☆ Remote signal transfer by RS485.
- ☆ 1.5 times range standard overload.
- ☆ Absolute and atmosphere pressure measurement
- ☆ Level and Pressure automatic calculation

Applications

- ★ Liquids level monitor
- ★ Petroleum
- ★ Chemi-industry
- ★ Metallurgy
- ★ Hydrology, Agriculture
- ★ Power station
- ★ Harsh environments in the process industry
- ★ Critical industrial applications

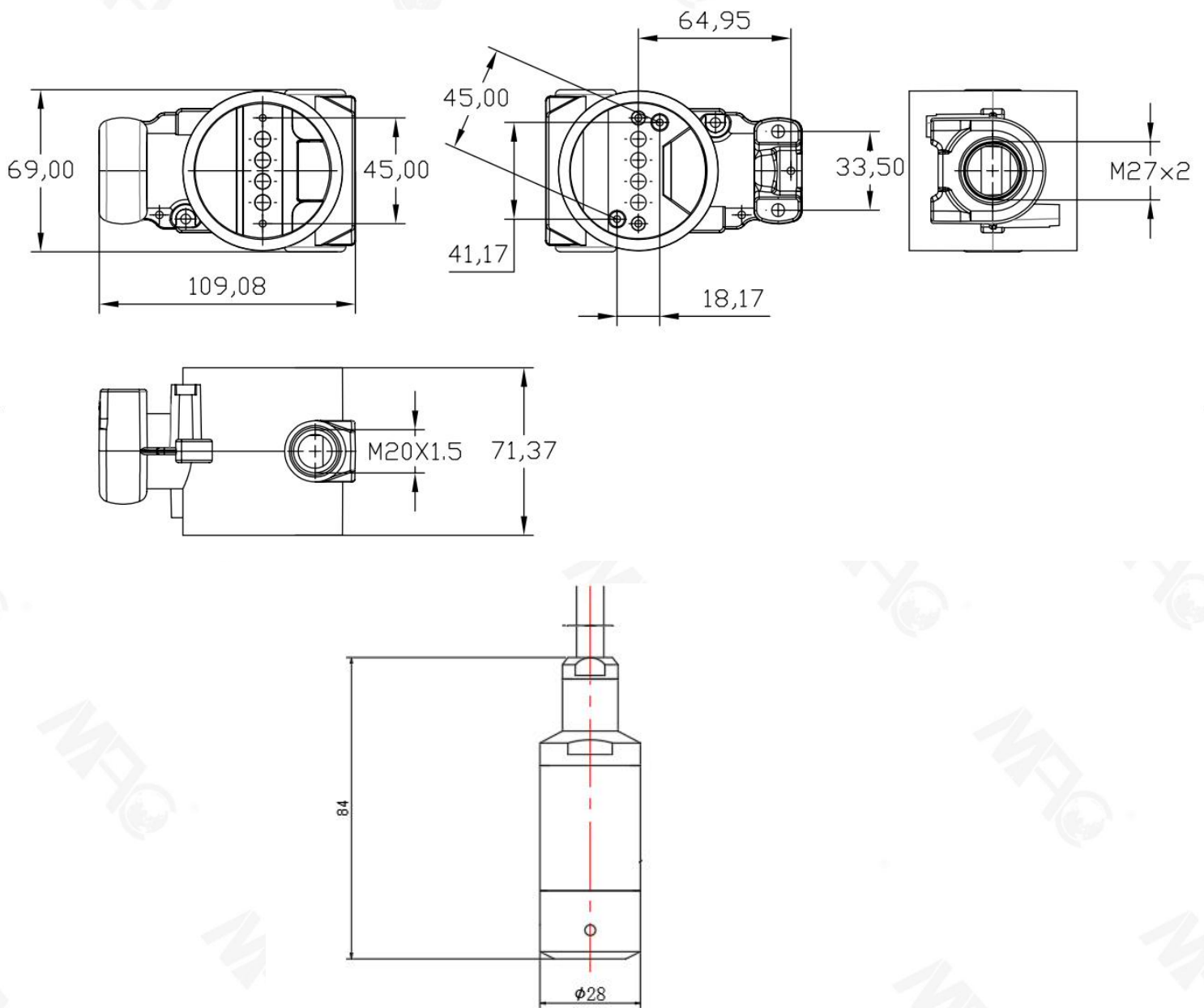
Specifications

Ambient Temperature: 25°C (unless specified)

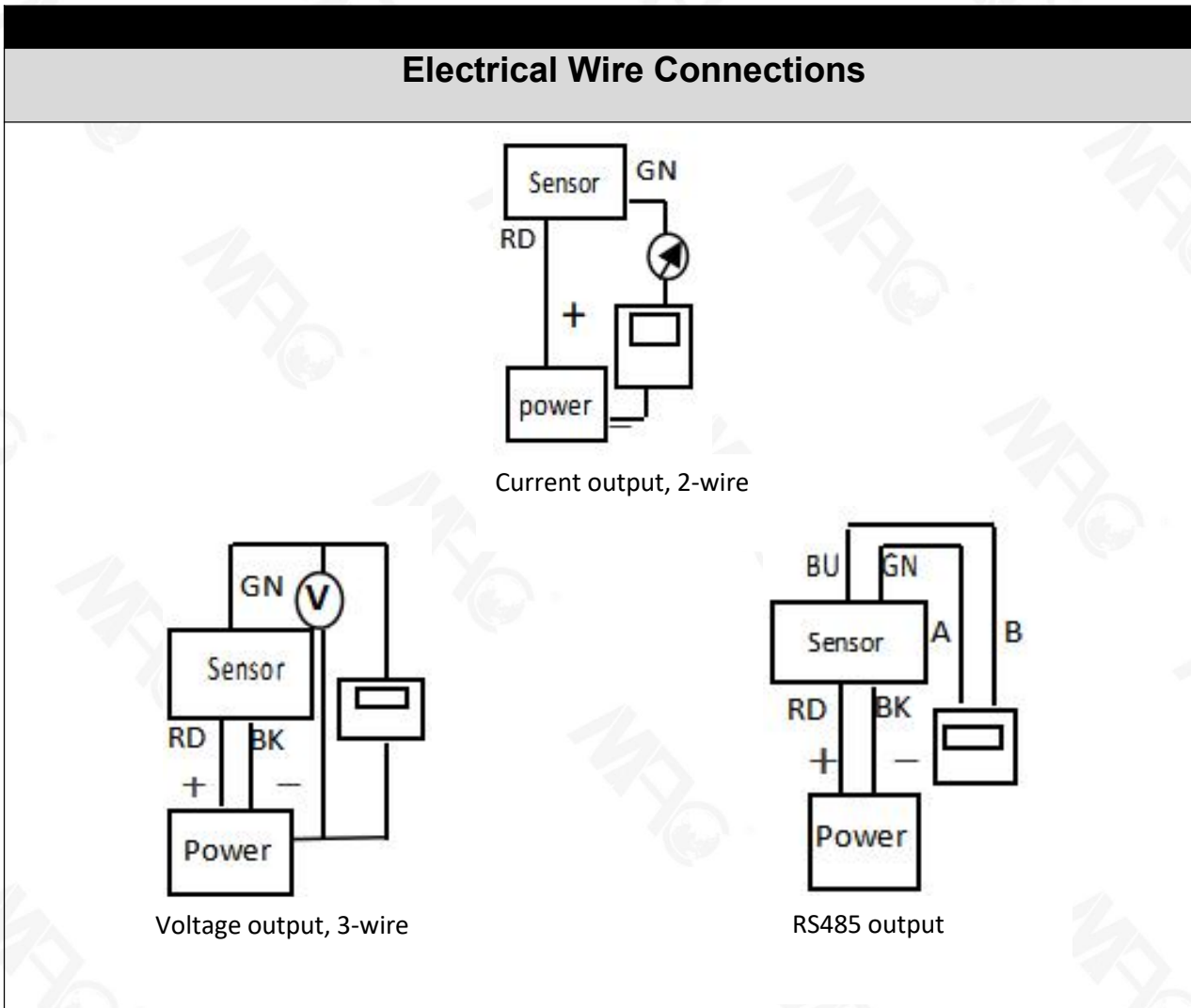
Model	L712			
Parameter				
Level Range	0-0.1 Bar.....50 Bar / 0-1M.....500m H2O Optional			
Overload	150% F.S			
Burst Pressure	300% F.S			
Accuracy	≤±0.25%F.S (for RS485 modbus) ≤±0.5%F.S (Typical)			
Long-term Stability	Standard: 0.15%F.S±0.05%			
Pressure Type	Gage pressure, absolute pressure optional			
Electrical Wire	2 Wires	3 Wires		4 Wires
Output	4-20 mA	0-5 V	0-10 V	RS485 Modbus RTU
Power Supply	12-30 V DC	10-30 V DC	15-30 V DC	8-30 V DC
Load Resistance	(U-10)/0.02 Ω	>100 kΩ	>100 kΩ	Max 128 ID
Working Temp.	-40°C to +70°C			
Storage Temp.	-40°C to +105°C			
Temperature compensation	0°C to +50°C			
Medium compatible	Compatible with 316L Stainless Steel			
Alarm function	With sound alarm output, optional.			
Local Display	Optional (LED 4-1/2bits)			
Insulate resistance	> 100M Ω @50V			
Electrical connection	Sensor water proof IP68; Electrical indicator IP65			
Zero Temp. Drift	0.03%FS/°C(≤100kPa); 0.02%FS/°C(> 100kPa)			
FS Temp. Drift	0.03%FS/°C(≤100kPa); 0.02%FS/°C(> 100kPa)			
Response time	≤300 ms			
EMC Standard	EN 61326-1:2013; EN 61326-2-3:2013; EN 61000-6-2:2005; EN61000-6-4:2007+A1			
Certificate	CE Certificate			
Remarks	3.6V Li-battery with solar panel is available (customized!) Special applications request by Customized			

Dimensions and Drawing

Unit: mm



Electrical Connections



Part Number Code Pressure Range

001	0...0.5	010	0...1.8	019	0...4	028	0...20
002	0...1.0	011	0...1.9	020	0...5	XXX	By customized
003	0...1.1	012	0...2.0	021	0...6		
004	0...1.2	013	0...2.1	022	0...7		
005	0...1.3	014	0...2.2	023	0...8		
006	0...1.4	015	0...2.3	024	0...10		
007	0...1.5	016	0...2.4	025	0...12		
008	0...1.6	017	0...2.5	026	0...15		
009	0...1.7	018	0...3	027	0...16		

Order Information

P/N	L712 (Model)	010	LE	D2	E8	S6	23	1	1
Selection									
Range	Refer to PART NUMBER CODE TABLE FOR RESSURE RANGE on previous page and select your requested range code here.								
Display	LE=With LED Indicator LC=With LCD Indicator								
Measuring Medium	CW=Water D1=0.84g/cm3 density diesel D2=0.83g/cm3 density diesel D3=0.85g/cm3 density diesel D4=0.86g/cm3 density diesel X=By Customized								
Signal Output	E5=4-20mA (2 wire) E8=0.5-4.5V ratiometric(3 wire) E6=0-5V (3 wire) E7=0-10V (3 wire) E11=RS485 MODBUS RTU (4 wire) X= By customized								
Power Supply	S6=5 V DC S10=12-30 V DC S12=8-30 V DC S17=10-30V DC X= By customized								
Others Function (Optional)	N=Standard Type (with short filter) PFC= PTFE materials cap/filter cover ANC=Anti-corrosion type (PVDF) TAP=Titanium alloy material probe ELP=W/ external lightning protection box(for 4-20mA&RS485 non-battery type) 6=G1/4'' male thread mounting type NFC=Nylon material filter cover AL=With barometer and absolute type								
Accuracy	0=1.0%F.S 1=0.5%F.S 2=0.25% X=By customized								
Cable length	1=1 meter X=By customized								